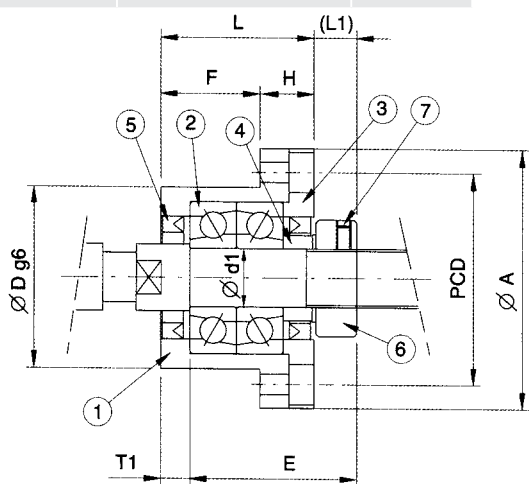


FK系列 (法蘭形固定側)

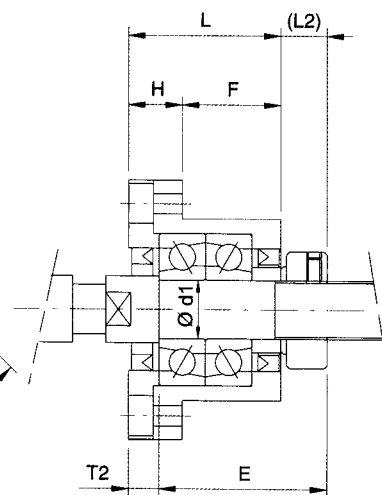
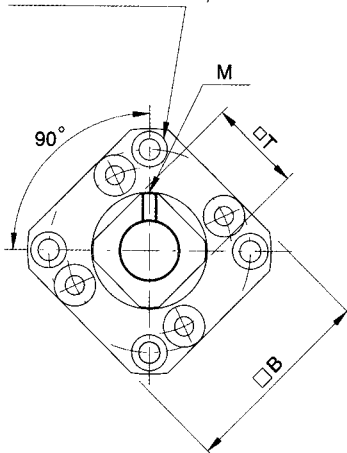
Support Unit FK
(fixed-side rectangular type)

編號/Part No.	部品名稱/Part name	數量/Qty
1	軸承座本體/Housing	1
2	軸承/Bearing	1組/1 set
3	壓板/Holding lid	1
4	套筒/Collar	2
5	油封/Seal	2
6	鎖固螺帽/Lock nut	1組/1 set
7	內六角止付螺絲附銅片 Hexagon socket-head Setscrew(with set piece)	2



裝置方法A / Mounting method A

4-Ø鑽穿ØY鑽深Z
4-X drill ØY counter bore depth Z



裝置方法B / Mounting method B

單位 / Unit : mm

型號 Model No.	軸徑 Shaft diameter d1	L	H	F	E	Dg6	A	PCD	B	裝置方法A Mounting method A		裝置方法B Mounting method B		X	Y	Z	M	T	
										L1	T1	L2	T2						
FK06	6	20	7	13	22	22	-0.007 -0.02	35	28	28	5.5	3.5	8.5	6.5	3.4	6	3	M3	12
FK08	8	23	9	14	26	28	-0.007 -0.02	43	35	35	7	4	10	7	3.4	6	4	M3	14
FK10	10	27	10	17	29.5	34	-0.009 -0.025	52	42	42	7.5	5	8.5	6	4.5	8	4	M4	16
FK12	12	27	10	17	29.5	36	-0.009 -0.025	54	44	44	7.5	5	8.5	6	4.5	8	4	M4	19
FK15	15	32	15	17	36	40	-0.009 -0.025	63	50	52	10	6	12	8	5.5	9.5	6	M4	22
FK17	17	45	22	23	47	50	-0.009 -0.025	77	62	61	11	9	14	12	6.6	11	10	M4	24
FK20	20	52	22	30	50	57	-0.010 -0.029	85	70	68	8	10	12	14	6.6	11	10	M4	30
FK25	25	57	27	30	60	63	-0.010 -0.029	98	80	79	13	10	20	17	9	14	13	M5	35
FK30	30	62	30	32	61	75	-0.010 -0.029	117	95	93	11	12	17	18	11	17	15	M6	40

接受表面特殊處理之訂製 Surface Special treatment is available.

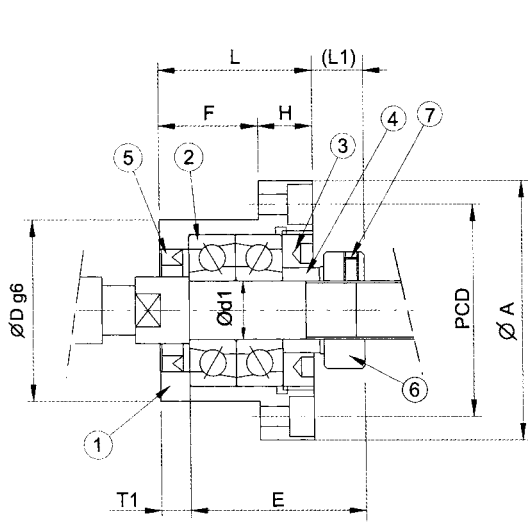
FK系列 (法蘭形固定側)

Support Unit FK
(fixed-side rectangular type)

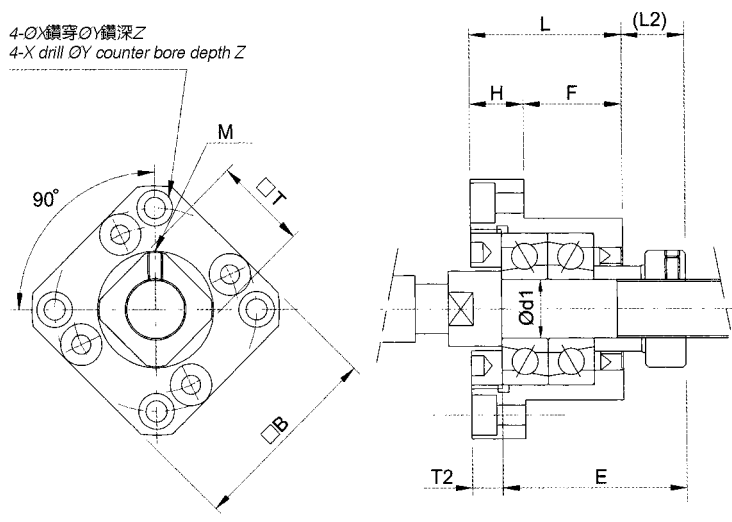
編號/Part No.	部品名稱/Part name	數量/Qty
1	軸承座本體/Housing	1
2	軸承/Bearing	1組/1 set
3	壓板/Holding lid	1
4	套筒/Collar	2
5	油封/Seal	2
6	鎖固螺帽/Lock nut	1組/1 set
7	內六角止付螺絲附銅片 Hexagon socket-head Setscrew(with set piece)	2



FK05 ~ FK08



裝置方法A / Mounting method A



裝置方法B / Mounting method B

單位 / Unit : mm

型號 Model No.	軸徑 Shaft diameter d	L	H	F	E	Dg6	A	PCD	B	裝置方法A Mounting method A		裝置方法B Mounting method B		X	Y	Z	M	T	
										L1	T1	L2	T2						
FK05	5	16.5	6	10.5	18.5	20	-0.007 -0.02	34	26	26	5.5	3.5	7	5	3.4	6.5	3	M2.6	11
FK06	6	20	7	13	22	22	-0.007 -0.02	35	28	28	5.5	3.5	8.5	6.5	3.4	6	3	M3	12
FK08	8	23	9	14	26	28	-0.007 -0.02	43	35	35	7	4	10	7	3.4	6	4	M3	14

接受表面特殊處理之訂製 Surface Special treatment is available.